



Total Dosing Solutions

MIA Series Motor Driven Diaphragm Pumps

Overview & Features

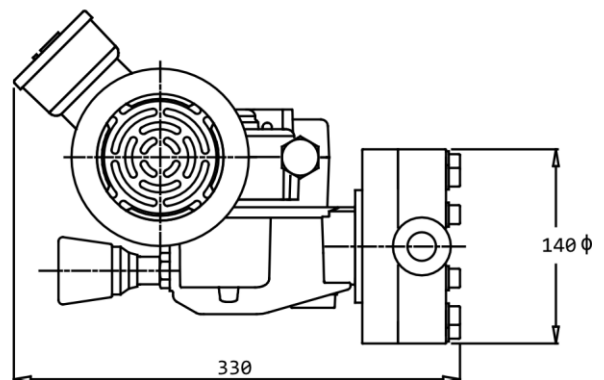
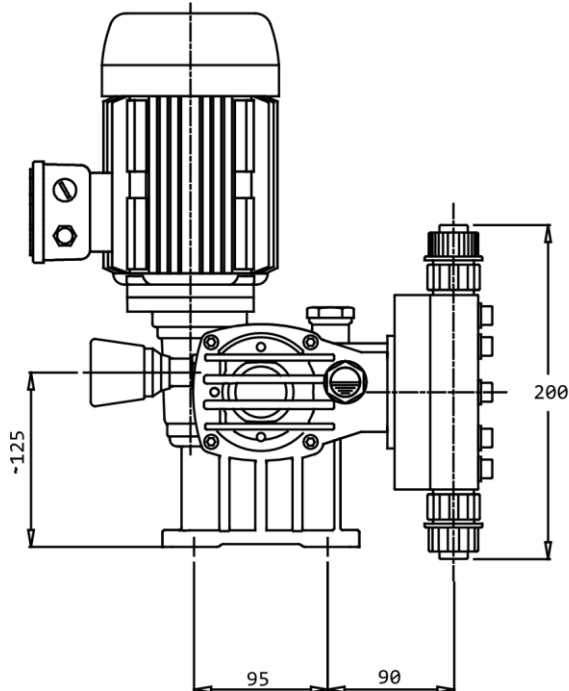
Maximum Flow Rate:	1000 L/H
Maximum Operating Pressure:	10 Bar
Optional Zone 1 or Zone 2 ATEX Rating (applies to the whole pump)	
Optional Certified Materials (3.1 and FDA)	
Minimal lead time (applies to selected models)	
Optional extended 36-month warranty	

Control & Motor Options

Manual Stroke Length Adjustment as standard (0 – 100%)	
Optional 0-10 V or 4-20 mA Automatic Stroke Length Adjustment	
Optional Inverter Control (requires optional self-ventilated motor)	
Three Phase & Single Phase motor options available in 50 or 60 Hz	

Valve & Material Options

Thread:	BSP Female
Valves:	Pyrex, SS 316L or Hastelloy C276 Ball Valves
Diaphragm:	PTFE
Pump Head Configuration:	PVC, PVDF or SS 316L
Seals:	FPM, EPDM, SS 316L or PTFE



All dimensions are in mm

Total Dosing Solutions Ltd
Newark Business Centre, 38-40 Northgate,
Newark, Nottinghamshire, NG24 1EX
Phone: +44 (0) 1636 642916
e-mail: sales@totaldosing.com – web: www.totaldosing.com



Total Dosing Solutions

MIA Series Motor Driven Diaphragm Pumps

Code	Flow Rate (L/H)	Maximum Operating Pressure (Bar)	Strokes per Minute	Motor Output (KW)	Diaphragm Diameter (mm)	Standard Valve Size		
MIA 6	6	10	34	0.18	32	¼" BSPf		
MIA 18	18	8	34		110		3/8" BSPf	
MIA 35	35	8	71					
MIA 50	50	8	106					
MIA 85	85	8	150					
MIA 40	40	8	34					
MIA 75	75	8	71					
MIA 115	115	8	106					
MIA 160	160	8	150					
MIA 55	55	8	34					
MIA 110	110	8	71					
MIA 180	180	8	106					
MIA 250	250	8	150					
MIA 70	70	5	34			170		1" BSPf
MIA 155	155	5	71					
MIA 240	240	5	106					
MIA 340	340	5	150					
MIA 150	150	5	34					
MIA 320	320	5	71					
MIA 480	480	5	106					
MIA 680	680	5	150					
MIA 230	230	5	34					
MIA 500	500	5	71					
MIA 700	700	4	106	0.37				
MIA 1000	1000	3	150					

NB: The data above applies to 50 Hz models only; 60 Hz information is also available.

Total Dosing Solutions Ltd

Newark Business Centre, 38-40 Northgate,

Newark, Nottinghamshire, NG24 1EX

Phone: +44 (0) 1636 642916

e-mail: sales@totaldosingsolutions.com – web: www.totaldosingsolutions.com