



# Total Dosing Solutions

## NEO Series Motor Driven Plunger Pumps

### Overview & Features

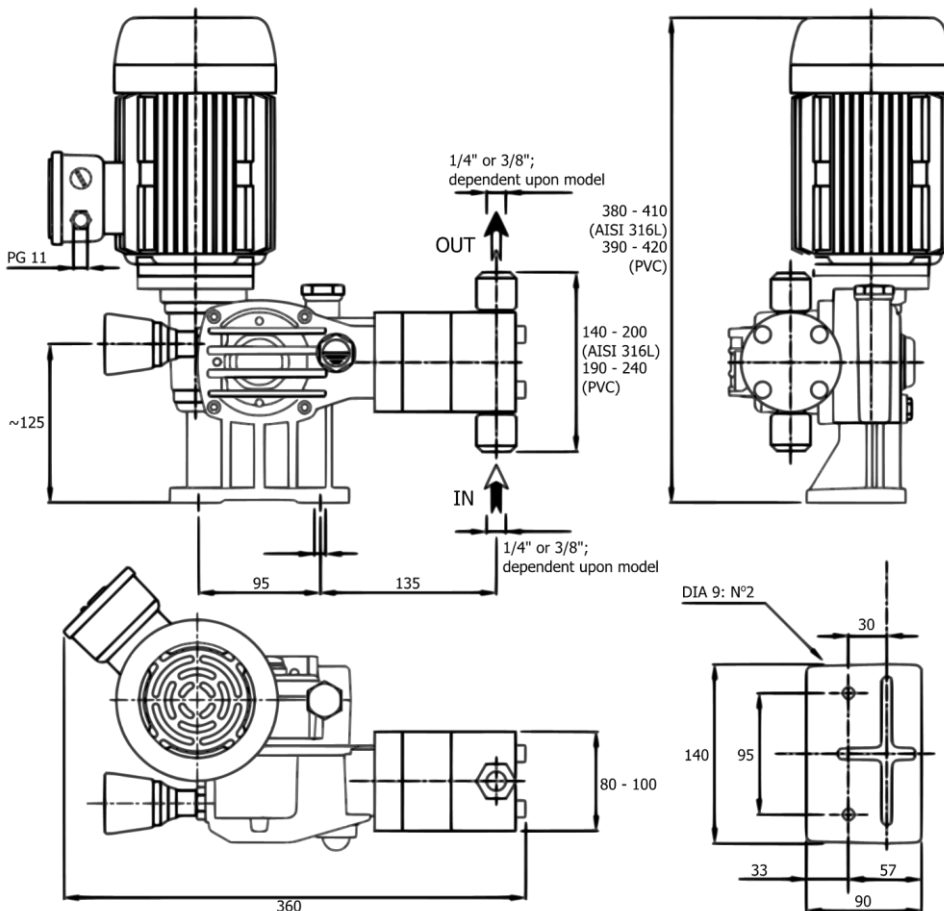
<b>Maximum Flow Rate:</b>	425 L/H
<b>Maximum Operating Pressure:</b>	10 Bar (30 Bar with high pressure motor)
Optional Zone 2 ATEX Rating (applies to the whole pump)	
Optional FDA Compliance	
Minimal lead time (applies to selected models)	
Optional extended 36-month warranty	

### Control & Motor Options

Manual Stroke Length Adjustment as standard (0 – 100%)	
Optional 0-10 V or 4-20 mA Automatic Stroke Length Adjustment	
Optional Inverter Control (requires optional self-ventilated motor)	
Three Phase & Single-Phase motor options available in 50 or 60 Hz	

### Connections & Material Options

<b>Thread:</b>	BSP Female
<b>Valves:</b>	Pyrex or SS 316L Ball Valves
<b>Plunger:</b>	SS 316L or Ceramic
<b>Pump Head Configuration:</b>	PVC or SS 316L
<b>Seals:</b>	FPM, EPDM, or PTFE



All dimensions are in mm

**Total Dosing Solutions Ltd**  
 Newark Beacon Innovation Centre, Beacon Hill Office Park  
 Cafferata Way, Newark, Nottinghamshire, NG24 2TN  
 Phone: +44 (0) 1636 642 916  
 e-mail: sales@totaldosingsolutions.com – web: www.totaldosingsolutions.com



# Total Dosing Solutions

## NEO Series Motor Driven Plunger Pumps

Code	Flow Rate (L/H)	Maximum Operating Pressure (Bar)	Strokes per Minute	Plunger Diameter	Standard Valve Size
NEO 5	5	10	34	15	1/4" Bspf
NEO 10.5	10.5	10	106	15	
NEO 16	16	10	106	15	
NEO 22	22	10	150	15	
NEO 26	26	10	34	34	3/8" Bspf
NEO 55	55	10	71	34	
NEO 82	82	10	106	34	
NEO 116	116	10	150	34	
NEO 46	46	10	12	45	
NEO 96	96	10	71	45	
NEO 144	144	10	106	45	
NEO 204	204	8	150	45	
NEO 69	69	7	34	55	
NEO 145	145	7	71	55	
NEO 215	215	7	106	55	
NEO 305	305	7	150	55	
NEO 95	95	5	34	65	
NEO 201	201	5	71	65	
NEO 301	301	5	106	65	
NEO 425	425	5	150	65	

**NB: The data above applies to 50 Hz models only; 60 Hz information is also available.**

### Total Dosing Solutions Ltd

Newark Beacon Innovation Centre, Beacon Hill Office Park

Cafferata Way, Newark, Nottinghamshire, NG24 2TN

Phone: +44 (0) 1636 642 916

e-mail: sales@totaldosingsolutions.com – web: www.totaldosingsolutions.com