



Pressure Relief & Loading Valves

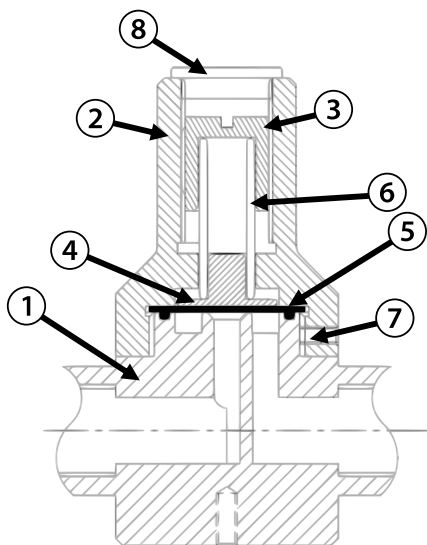
PRODUCT OVERVIEW

Our range of pressure relief/loading valves are designed for use with a wide range of dosing systems. The valves have a number of configuration options including the thread sizes and material configuration. The valves can be used with systems that feature flow rates of up to 12000 L/H (damped flow, Duplex valves only). In addition we can arrange to have the valves pre-set at specific pressures if required.

TECHNICAL FEATURES

- Single or double headed (Duplex) valves
- Maximum operating pressures of 24 Bar for metal bodied models and 16 Bar for plastic bodied models ($\frac{3}{8}$ " – 1½" models)
- Pressure relief adjustment range of up to 26 Bar (HP relief, DN 10 models only); standard pressure relief adjustment range of up to 10 Bar
- Loading adjustment up to 8 Bar (HP loading, DN 10-25 models only); standard loading adjustment is up to 3 Bar
- Maximum temperature of 140°C for stainless steel with FPM or PTFE diaphragms
- OD up to 63 mm
- Pulsed flow rates of up to 3000 L/H (6000 L/H for Duplex valves); Damped flow rates of up to 6000 L/H (12000 L/H for Duplex valves)

DIMENSIONS



- 1 – Body Assembly
- 2 – Bonnet
- 3 – Adjuster Screw
- 4 – Pressure Pad
- 5 – Diaphragm
- 6 – Loading Spring
- 7 – Bonnet Lock Screw
- 8 – Cap

Total Dosing Solutions Ltd

Newark Beacon Innovation Centre, Beacon Hill Office Park
Cafferata Way, Newark, Nottinghamshire, NG24 2TN
Phone: +44 (0) 1636 653 065

e-mail: sales@totaldosingsolutions.com – web: www.totaldosingsolutions.com